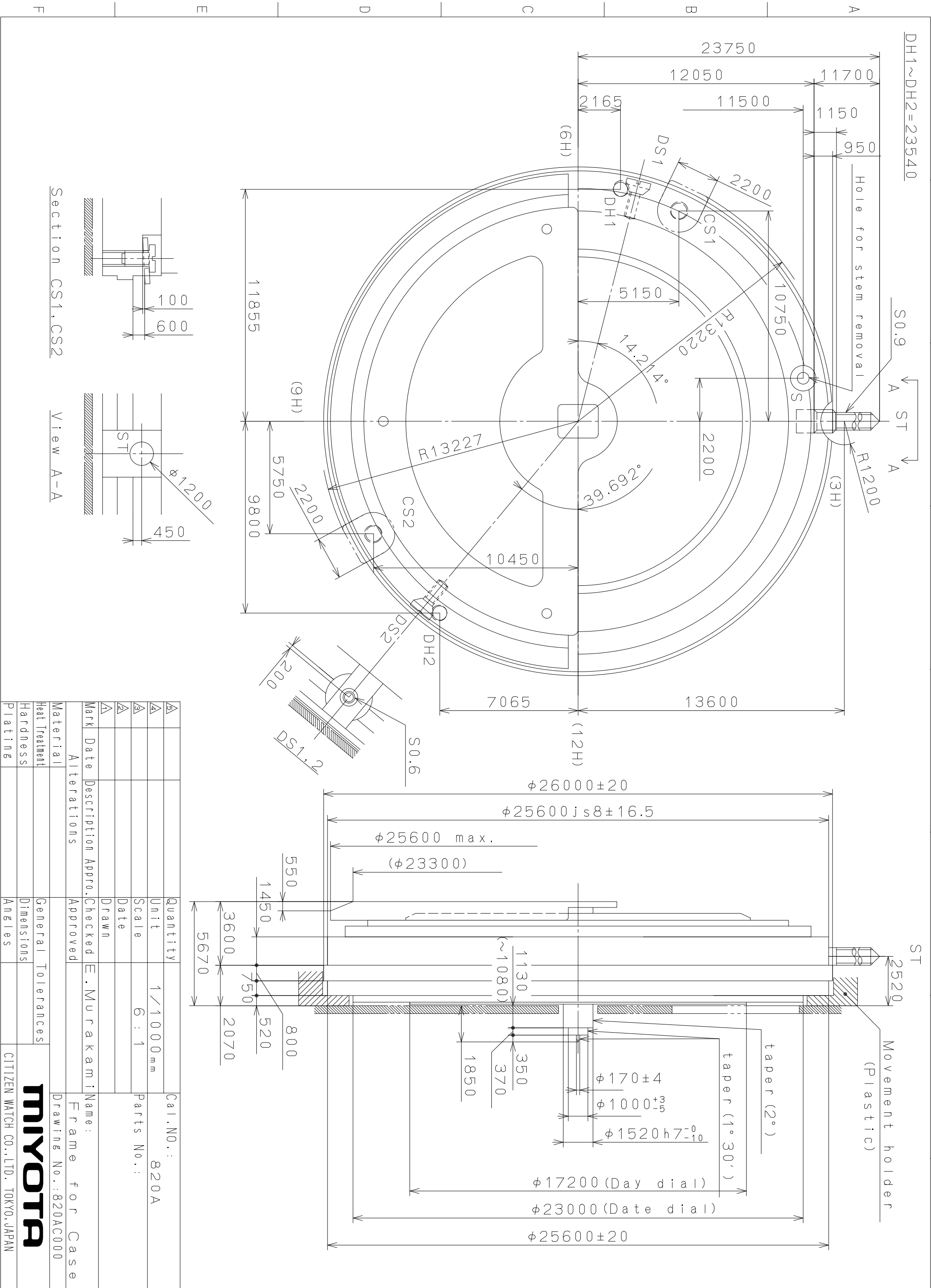


This drawing is provisional and subject to our reconfirmation and/or revision without notice.

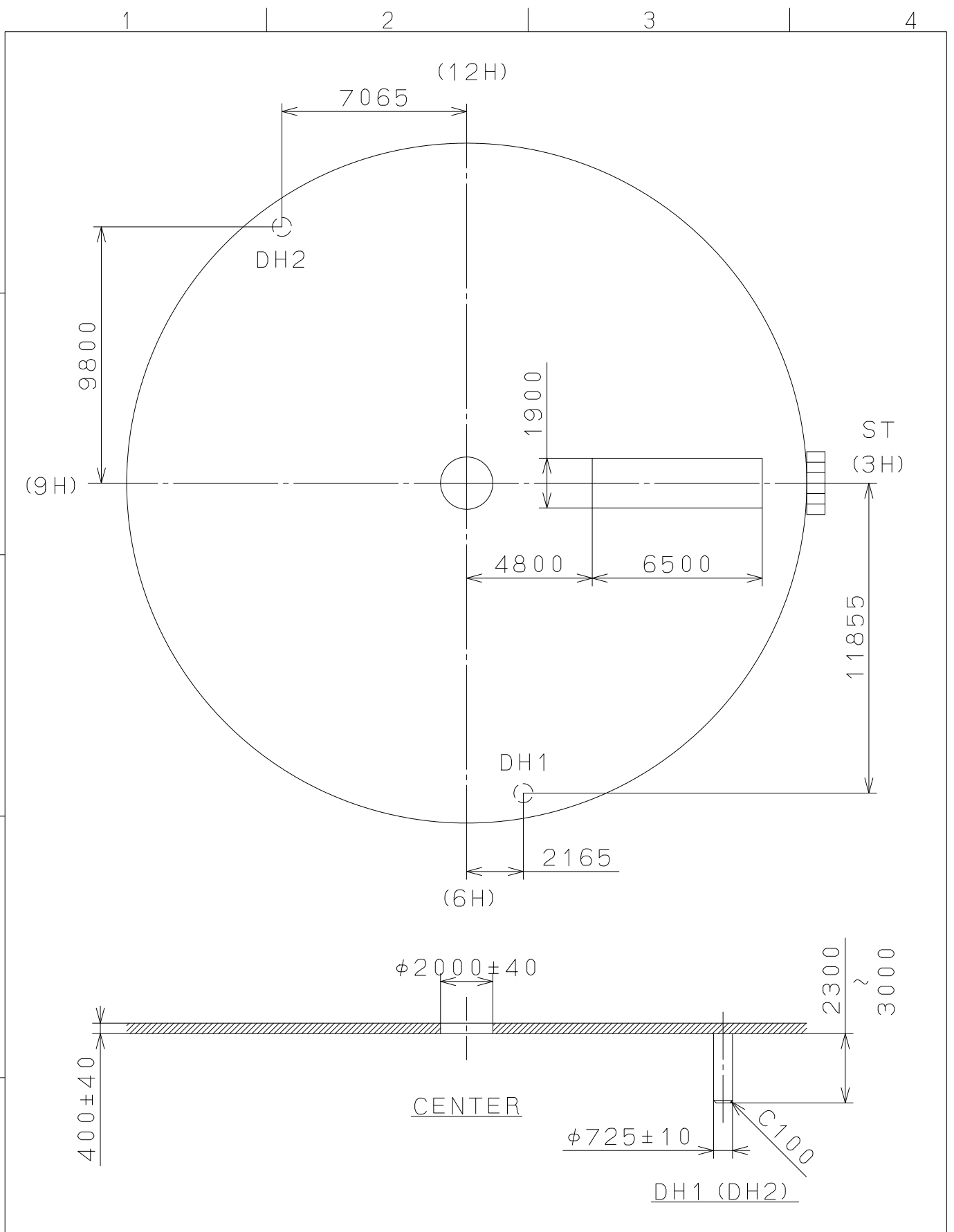


Section CS1, CS2

View A-A

Material	Alterations	Quantity	Cal. NO.:
Heat Treatment	Date	Unit	820A
Hardness	Description	Scale	Parts No.:
Plating	Appro.	Drawn	
	Checked		
	Approved		
General Tolerances		Name: E. Murakami	
Dimensions		Frame for Case	
Angles		Drawing No.: 820AC000	
		MIYOTA	
		CITIZEN WATCH CO., LTD. TOKYO, JAPAN	

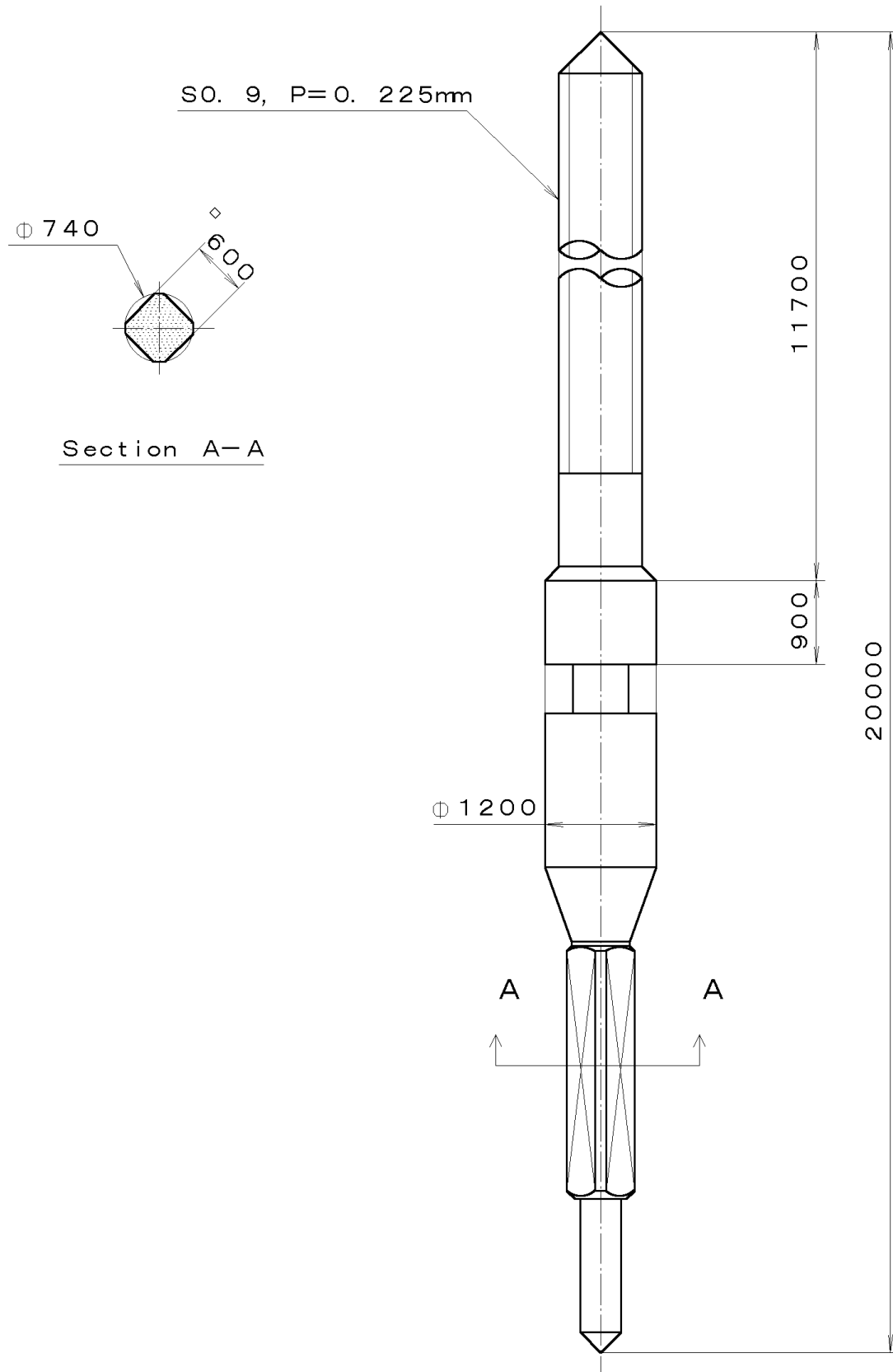
This drawing is provisional and subject to our reconfirmation and/or revision without notice.



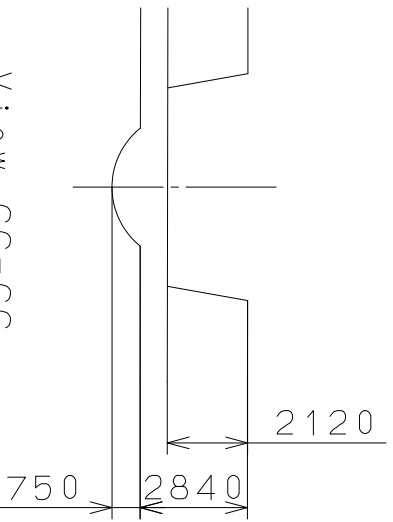
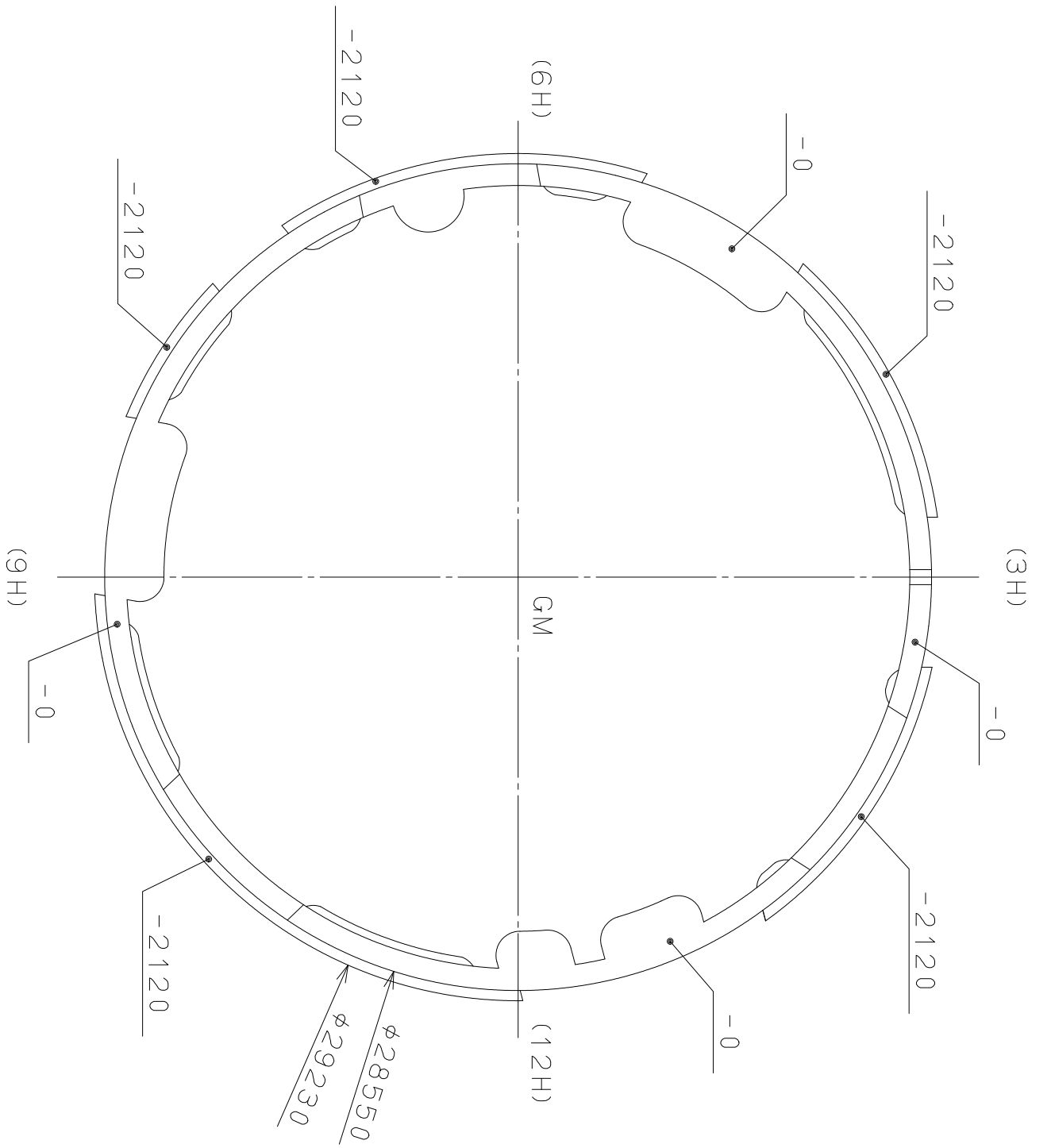
△			Quantity		Cal.NO.:	
△			Unit	1/1000mm		820A-21C
△			Scale	5:1	Parts No.:	
△			Date			
△			Drawn			
Mark	Date	Description	Appro.	Checked	E. Murakami	Name:
Alterations			Approved			Indications for Dial
Material					Drawing No.:820AD000	
Heat Treatment					<b>MIYOTA</b> CITIZEN WATCH CO.,LTD. TOKYO,JAPAN	
Hardness						
Plating						

This drawing is provisional and subject to our reconfirmation and/or revision without notice.

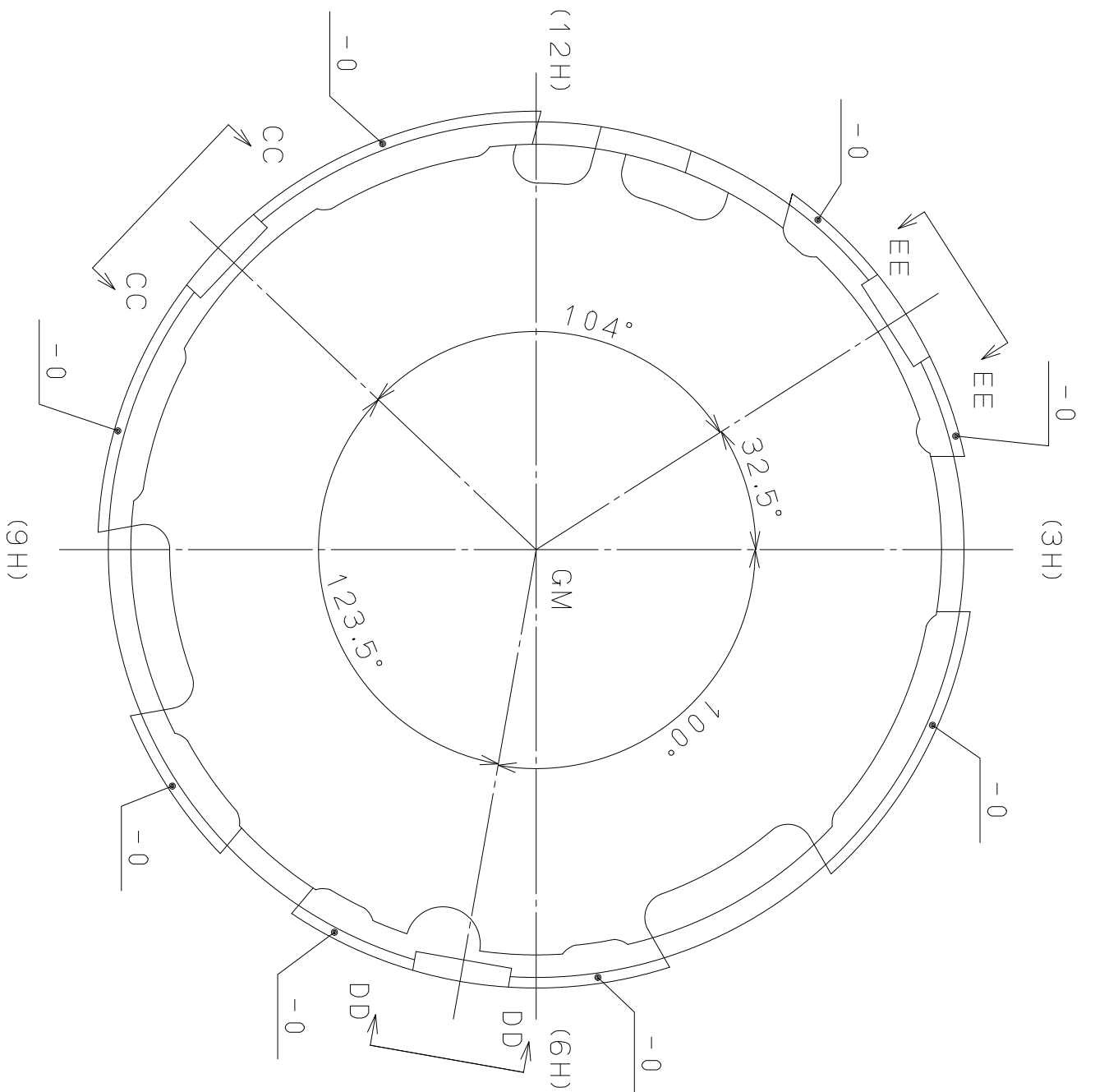
\*\*\* T I P W (01) \*\*\* (2100 1121) 00-09-18 065-212



7			Quantity		Cal. No. :
6			Unit	1/1000 mm	
5			Scale	15:1	Parts:
4			Date		065-212
3			Drawn		
2			Checked	T. Hiruta	Name:
1			Approved		SETTING STEM
Material					Drawing No. : 2120S000
Heat Treatment			General Tolerances		<b>MIYOTA</b>
Hardness			Dimensions		
Plating			Angles		



View CC-CC  
DD-DD, EE-EE



Quantity	Unit	1/1000 mm	Cal. NO.:
Scale	Scale	5 : 1	Parts No.:
Date	Date		500-710
Drawn	Drawn		
Checked	Checked		
Approved	Approved		
Material			Name:
Heat Treatment			Casing Holder
Hardness			Drawing No.: 8200E002
Plating			
General Tolerances			
Dimensions			
Angles			

**MIYOTA**

CITIZEN WATCH CO., LTD. TOKYO, JAPAN